



Industrie Service

ZERTIFIKAT Certificate

**EG-Baumusterprüfung (Modul B) nach Richtlinie 1999/36/EG und ADR/RID, 6.2.1.4
EC-type-examination (module B) according to Directive 1999/36/EC and ADR/RID, 6.2.1.4**

Zertifikat-Nr.: 0036-012-03 Rev. 3
Certificate No.:

Gültigkeit / Validity: 10 Jahre / 10 Years

Name und Anschrift des Antragstellers: Swagelok Company,
Name and Postal Address of Applicant: 29500 Solon Road, Solon, OH 44139; USA

Hiermit wird bescheinigt, daß das unten genannte EG-Baumuster die Anforderungen der Richtlinie 1999/36/EG erfüllt. / We herewith certify that the EC type specified below meets the requirements of the Directive 1999/36/EC.

Prüfbericht Nr.: DS300843-1 Rev.1 des / of TÜV America Inc. Industry
Test Report No.: Service vom/dated May 7th, 2003

Typ, Norm, Zeichnung, Revision, Datum Flaschen nach / Cylinders according **EN 1964-3**
Type, Standard, Drawing, Revision, Date "TPED-CY-8-Approval" Rev. B, 3/8/2006
(Anlage / enclosure)

Fertigungsstätte / Manufacturing Plant Swagelok Company, Swagelok Atlantik
26651 Curtis Wright Parkway
Willoughby Hills, OH 44092, USA

(Ort, Datum)
(Location, Date)

München, 2006-11-30



**TÜV SÜD Industrie Service GmbH
TÜV-CERT-Zertifizierungsstelle
für Druckgeräte**

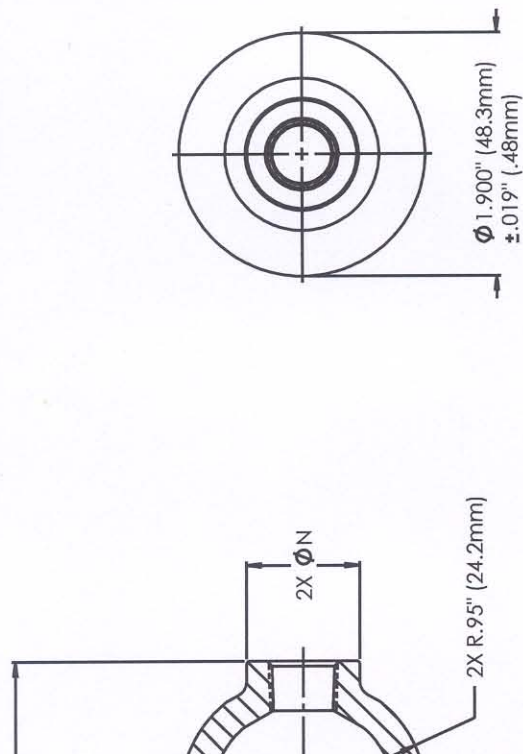
Klaus J. Meier
Benannte Stelle, Kennnummer 0036
Notified Body, identification number 0036

TÜV SÜD Industrie Service GmbH Tel.: +49 (0) 89 / 5791-1891
Dampf- und Drucktechnik Fax: +49 (0) 89 / 5791-1810
Westendstraße 199 www.tuev-sued.de
D-80686 München

Mitglied der
CONFÉDÉRATION EUROPÉEN



D'ORGANISMES DE CONTROLE



SECTION A-A

NOTES:
 1. CYLINDER FORMED FROM SEAMLESS TUBE
 2. CYLINDER SHOULDER AND NECK THICKNESS SHALL BE EQUAL TO OR GREATER THAN THE MINIMUM SIDEWALL THICKNESS.

Guaranteed Minimum Tensile Strength (N/mm ²)	Guaranteed Minimum Yield Strength (N/mm ²)	Minimum Elongation	Impact Strength @ -50° C (J/cm ²)	Test Pressure (bar)
485	234	40%	60	450

End Fittings Part Number	Fitting Specification	Nominal Size	Major Thread Diameter, (F) in (mm)	Neck Diameter, (N) in (mm)
F4	ASME B1.20.1	1/4 NPT	.540 (13.72)	.80 (20.3)
F6	ASME B1.20.1	3/8 NPT	.675 (17.14)	.88 (22.4)
F4RT	ISO 7 / 1	RC 1/4	.540 (13.72)	.80 (20.3)
F6RT	ISO 7 / 1	RC 3/8	.675 (17.14)	.88 (22.4)

TÜV SÜD Industrie Service GmbH
 0036 - 0 1 2 - 0 3 Rev. 3
 Anlage 1/1 zum Zertifikat

UNLESS OTHERWISE SPECIFIED
 DIMENSIONS ARE IN INCHES (MM)
 FRACTIONS & .XX ±.015
 .XXX ±.005
 DECIMALS ±.0005
 INTERPRET DIM. AND TOL. PER ASME Y14.5M-1994

THIS PRINT IS THE EXCLUSIVE PROPERTY OF SWAGELOK COMPANY. IT MUST BE RETURNED ON REQUEST ALONG WITH ANY DOCUMENTS CONTAINING INFORMATION OBTAINED FROM THIS PRINT. NEITHER THIS PRINT NOR ANY PART OF IT NOR ANY INFORMATION CONCERNING IT MAY BE COPIED, DISCLOSED TO OTHERS OR USED FOR ANY PURPOSE EXCEPT IN FURTHERANCE OF YOUR BUSINESS WITH SWAGELOK COMPANY. THE PARTS REFERRED TO ON THIS PRINT MAY BE THE PROPERTY OF SWAGELOK COMPANY. THE PARTS REFERRED TO ON THIS PRINT MAY BE MANUFACTURED WITHOUT PERMISSION FROM SWAGELOK COMPANY.

TITLE SAMPLE CYLINDER
 MATERIAL 316L
 DRAWN BY JMH
 CHECK/APPR BY JMK
 DATE 4/23/2003
 DATE 3/8/2006