



Industrie Service

ZERTIFIKAT Certificate

**EG-Baumusterprüfung (Modul B) nach Richtlinie 1999/36/EG und ADR/RID, 6.2.1.4
EC-type-examination (module B) according to Directive 1999/36/EC and ADR/RID, 6.2.1.4**

Zertifikat-Nr.: 0036-006-03 Rev. 3
Certificate No.:

Gültigkeit / Validity: 10 Jahre / 10 Years

Name und Anschrift des Antragstellers: Swagelok Company,
Name and Postal Address of Applicant: 29500 Solon Road, Solon, OH 44139; USA

Hiermit wird bescheinigt, daß das unten genannte EG-Baumuster die Anforderungen der Richtlinie 1999/36/EG erfüllt. / We herewith certify that the EC type specified below meets the requirements of the Directive 1999/36/EC.

Prüfbericht Nr.: DS300843-1 Rev.1 des / of TÜV America Inc. Industry
Test Report No.: Service vom/dated May 7th, 2003

Typ, Norm, Zeichnung, Revision, Datum Flaschen nach / Cylinders according **EN 1964-3**
Type, Standard, Drawing, Revision, Date "TPED-CY-2-Approval" Rev. B, 3/8/2006
(Anlage / enclosure)

Fertigungsstätte / Manufacturing Plant Swagelok Company, Swagelok Atlantik
26651 Curtis Wright Parkway
Willoughby Hills, OH 44092, USA

(Ort, Datum)
(Location, Date)

München, 2006-11-30



**TÜV SÜD Industrie Service GmbH
TÜV-CERT-Zertifizierungsstelle
für Druckgeräte**

Klaus J. Meier
Benannte Stelle, Kennnummer 0036
Notified Body, identification number 0036

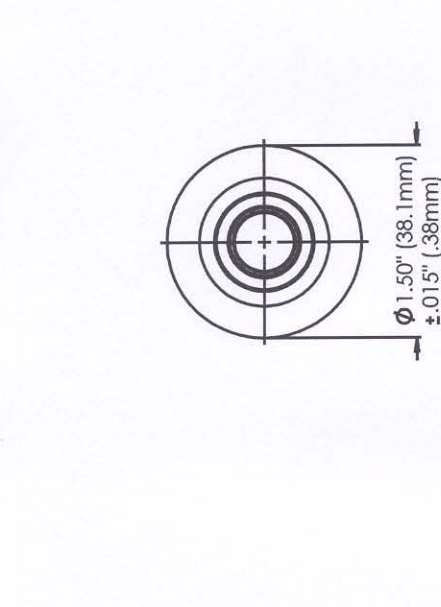
TÜV SÜD Industrie Service GmbH
Dampf- und Drucktechnik
Westendstraße 199
D-80686 München

Tel.: +49 (0) 89 / 5791-1891
Fax: +49 (0) 89 / 5791-1810
www.tuev-sued.de

Mitglied der
CONFÉDÉRATION EUROPÉEN



D'ORGANISMES DE CONTROLE



SECTION A-A

- NOTES:
 1. CYLINDER FORMED FROM SEAMLESS TUBE
 2. CYLINDER SHOULDER AND NECK THICKNESS SHALL BE EQUAL TO OR GREATER THAN THE MINIMUM SIDEWALL THICKNESS.

Guaranteed Minimum Tensile Strength (N/mm ²)	Guaranteed Minimum Yield Strength (N/mm ²)	Minimum Elongation	Test Pressure (bar)
483	200	40%	200

(B)

TÜV SÜD Industrie Service GmbH
 0036 = 0 0 6 - 0 3 Rev. 3
 Anlage 1/1 zum Zertifikat

Part Number	Fitting Specification	Nominal Size	Major Thread Diameter, (F) in (mm)	Neck Diameter, (N) in (mm)
F2	ASME B1.20.1	1/8 NPT	.405 (10.29)	.59 (15.0)
F4	ASME B1.20.1	1/4 NPT	.540 (13.72)	.80 (20.3)
F2RT	ISO 7 / 1	RC 1/8	.405 (10.29)	.59 (15.0)
F4RT	ISO 7 / 1	RC 1/4	.540 (13.72)	.80 (20.3)

THIS PRINT IS THE EXCLUSIVE PROPERTY OF SWAGELOK COMPANY. IT MUST BE RETURNED ON REQUEST ALONG WITH ANY DOCUMENTS CONTAINING INFORMATION OBTAINED FROM THIS PRINT. NEITHER THIS PRINT NOR ANY PART OF IT NOR ANY INFORMATION CONCERNING IT MAY BE COPIED, DISCLOSED TO OTHERS OR USED FOR ANY PURPOSE EXCEPT IN FURTHERANCE OF YOUR BUSINESS WITH SWAGELOK. THE PARTS REFERRED TO ON THIS PRINT MAY BE THE SUBJECT OF PATENTS AND TRADEMARKS AND MAY NOT BE MANUFACTURED WITHOUT PERMISSION FROM SWAGELOK COMPANY.

UNLESS OTHERWISE SPECIFIED DIMENSIONS ARE IN INCHES FRACTIONS & .XX .XXX .015 .015 .1 DEGREE INTERPRET DIM. AND TOL. PER ASME Y14.5M-1994

TITLE SAMPLE CYLINDER MATERIAL 304L (B) DRAWN BY JMH CHECK/APP BY JMK DATE 4/23/2003 DATE 3/8/2006

Swagelok
 DWG. NO. TPED-CY-2-APPROVAL
 SHEET 1 OF 1 SCALE 1:1 REV. B